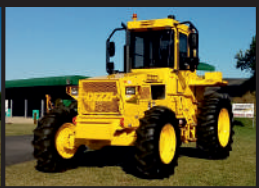


# DEZZI

## 3 WHEELER CANE LOADER



# BUILT AFRICA TOUGH

Designed and Manufactured in South Africa





**BUILT AFRICA  
TOUGH**

# 3 WHEELER CANE LOADER

## ENGINE

- Make : Deutz F4L912
- Power : 46KW / 230NM @ 1600RPM
- RPM : Governed @ 2000RPM
- Mounting : 6 Point Rubber Mounting
- Safety : Mechanical Shut Off

## ATTACHMENT

- Type : Cane Grab
- Capacity : 0.36m<sup>2</sup>

## DRIVE PUMP

- Model : Poclain - PM50 Tandem
- Operator Control : Servo Foot Pedal Valve
- Displacement : 45cc Per Side
- Relief Valve : 350 Bar
- Charge Pump : Intergrated Gear Pump
- Charge Pressure : 25 Bar
- Drive Coupling : HD Guardex 65

## WHEELS

- Tyres Front : 800/55-30.5
- Rim Front : 28 X 30.5 (Non Reinforced)
- Tyres Rear : 400/60 x 15.5 High Floatation
- Rear Rim : 13 x 15.5 Reinforced 1pc

## BRAKES

- Type : Multi Disc Spring Applied
- Park Brake Release: 18 Bar Hydraulic Pressure
- Service Brake : Hydrostatic Foot Pedal Control

## IMPLEMENT HYDRAULIC SYSTEM

- Pump Type : Gear Pump Driven
- Function Valve : Open Centre Valve with Port Relief

## HYDRAULIC & FUEL TANK

- Hydraulic Tank Type : Frame Tubing Integrated
- Hydraulic Tank Capacity : 145L (170 For System)
- Hydraulic Oil Cooling : Elctric Fan Hydraulic Cooler
- Fuel Tank Type : Bolt Mounted on Frame
- Fuel Tank Capacity : 85L

## OPERATING MASS

- Front Unladen : 3100kg
- Rear Unladen : 1200kg
- Total Unladen : 4300kg

## WHEEL DRIVE SYSTEM

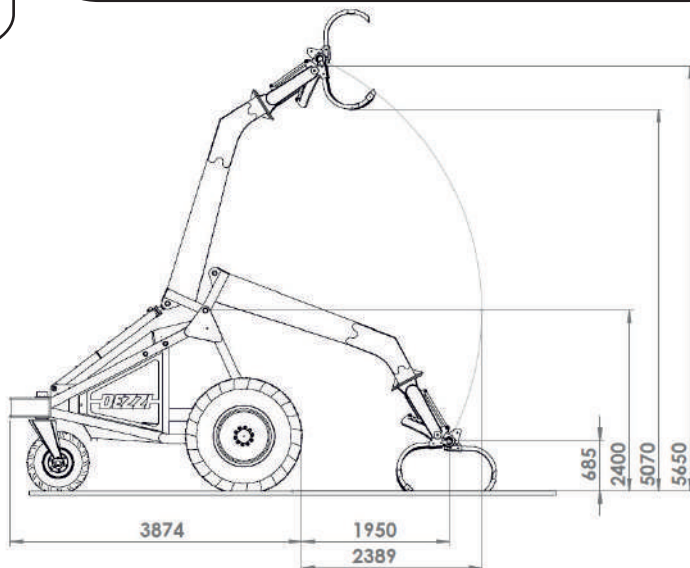
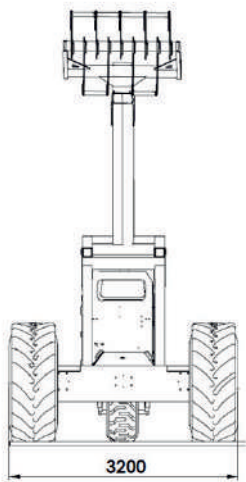
- Drive Motor Make : Poclain MS18 2000cc
- Wheel Torque : 9345 NM per Wheel

## CABIN STANDARD

- Type : Full driver protection with guarded side doors and front windscreen
- Seat Belt : Suspended Lap Belt; 4 Point Harness Optional

## CABIN AIR CONDITIONED

- Type : Sealed-Frame Intergrated
- HVAC System : 12V Fan, Engine Belt Driven Air Con Compressor
- Seat Belt : Suspended Lap Belt; 4 Point Harness Optional
- Windows : Glazed Windscreen With Wiper, Glazed Operator Door Windows
- Protection : HD Removable Windscreen Guard; Removable Operator Door Window Guards



Dimensions are approximate



**DESMOND  
EQUIPMENT**

PORT SHEPSTONE HEAD OFFICE  
Tel: 039 685 4100 | Fax: 039 685 4476 | E-mail:  
dezzi@venturenet.co.za  
PO Box 111 Port Shepstone 4240, South Africa

Desmond Equipment S.A. reserves the right to modify specifications without notice.

DEALER