



**BUILT AFRICA TOUGH**

**990**

**WHEEL LOADER**





**BUILT AFRICA TOUGH**



### Engine

	Stage-III A	Stage-IV
Brand	JOHN DEERE	
Model	6090HF485	6090HFC09
Type	Water cooled, 4 cycle, 6 cylinders in-line, direct injection, turbocharged	
Rated Power	300 hp / 224 kW	
Rated Speed	2000 rpm	
Displacement	9,0 liters	
Bore and Stroke	118,4 x 136 mm	
No of Cylinders	6	
Max. Torque	1421Nm@1500 rpm	1477Nm@1600rpm
Cooling	Water cooled	

### Electrical System

Battery	24 V / (12 V 120 Ah) x 2
Starter	24 V / 7,8 kW
Alternator	24 V / 100 A

### Transmission

Make	ZF
Type	Full powershift, electronic autoshift
Gradeability	% 70
Max Drawb. Pull	229kN

### Travel Speed

1. st ( forward / reverse)	7,40/7,40
2. nd (forward / reverse)	12,3/12,3
3. rd (forward / reverse)	19,0/27,0
4. th (forward / reverse)	40 / -
Cooling	Transmission oil cooler

### Axles

	Front Axle	Rear Axle
Make	ZF	ZF
Axle Oscillations	-	± 12 degree
Diferantial	Limited slip differential is standard on both front and rear axle	

### Hydraulic System

Make	EATON (Pump) / PARKER (Control Valve)
Hydraulic Pump	Load sensing with axial piston pump
Max. Flow	360lt/dak.
Max. Pressure	250bar.

### Lift Cylinders / Double Acting

Bore and Stroke	170x840
-----------------	---------

### Tilt Cylinders / Double Acting

Bore and Stroke	200x672
-----------------	---------

Cooling	Hydraulic oil cooler
Hydraulic Loader Controls	Hydraulic joystick control

### Brakes

2 Wheel/ 4 Wheel	4wheel
Service Brake	Hydraulic integrated multi-disc brake, separate circuit for front and rear
Parking Brake	Electro-hydraulically actuated spring-loaded caliper disc brake



# TECHNICAL SPECIFICATIONS

## Steering

Steering Type	Articulated frame
Angle of Frame Articulation	40°
Outside Turning radius (from tire)	6310mm
Outside Turning radius (from bucket)	7100mm
Safety	Safety strut

## Loader

Bucket Capacity	4.5 m³
Breakout Force	187 kN
Tipping Load	15750 kg
40° Tipping Load	13905 kg
Bucket Width	3000 mm

## Tires

Front and Rear	26,5-25
----------------	---------

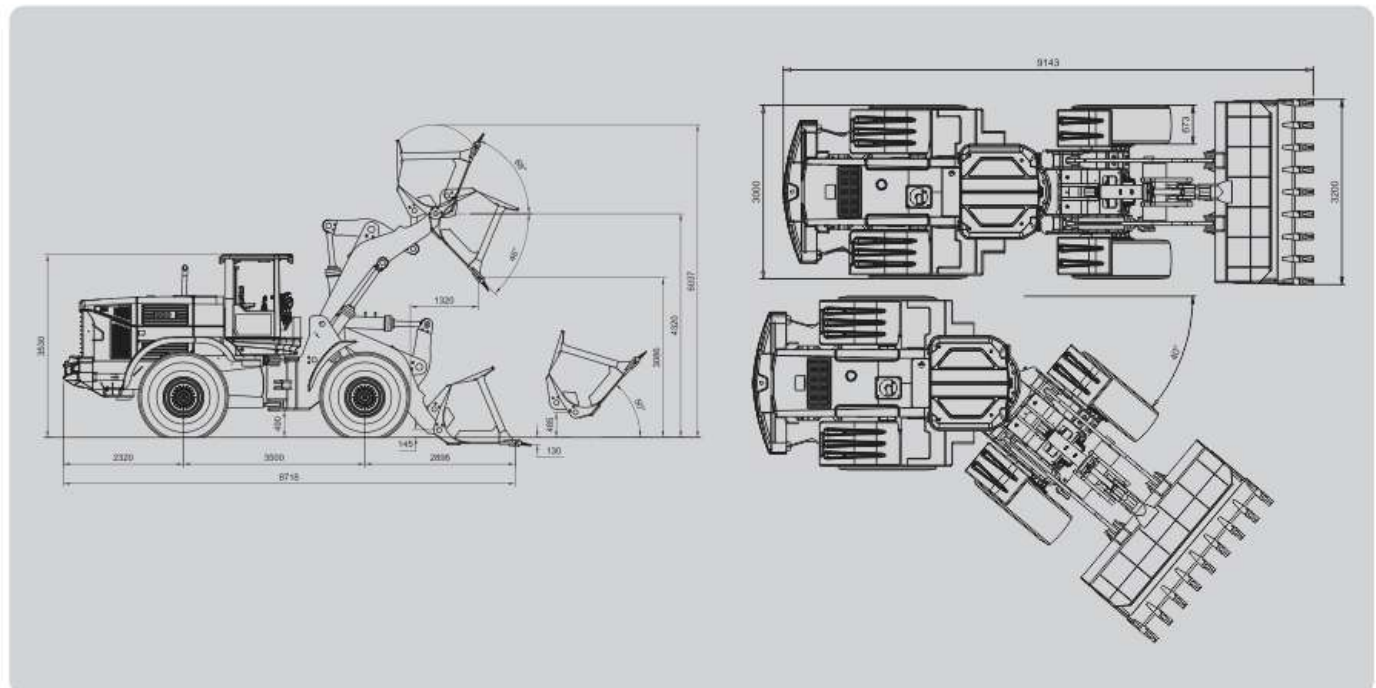
## Weights

Operating Weight	24250kg
------------------	---------

- Illustrations and data may differ from standard equipment.
- Specifications are subject to change without notice.
- See your DEZZI dealer for available options.

## Cabin

Cab	ROPS (ISO 3471) – FOPS (ISO 3449) safety cab, roomy and comfortable, fully equipped instrument panels with the latest tooling and technology, audible and visual warnings on main functions, ergonomic controls, height and tilt adjustable steering column, excellent visibility with radiused tinted safety glass.
Heating and Ventilation	Fresh air heater / blower unit, full heating control system.
Seat	Adjustable to operator's weight and size.





**BUILT AFRICA TOUGH**



With a keen awareness of its international positioning, as a pre-requisite of success and growth in a truly global era, DEZZI manages collaborations with leading international partners in Turkey and abroad aiming at long-term benefit of our customers, business partners and staff. These cooperative efforts aim to achieve the highest quality of products and service delivery by DEZZI where it has presence in global.

**Notes:**

- 1- The products in this catalogue are CE marked, all safety measurements are taken through the Machinery Directives 2006/42/EC
- 2- Illustrations and data may differ from standard equipment.
- 3- Specifications are subject to change without notice.
- 4- See your DEZZI dealer for available options.



Lot 28, District Road 440  
Marburg, Port Shepstone

Phone: +27 39 6854100  
Fax: +27 39 6854476

[www.dezzi.co.za](http://www.dezzi.co.za)  
[info@dezzi.co.za](mailto:info@dezzi.co.za)