

DEZZI

3500 FEL



BUILT AFRICA TOUGH

Designed and Manufactured in South Africa



Axles

Type : Graziano
 Model : PR 24

- Front axle fixed, rear axle oscillates through 12°
- Double reduction drives with standard differentials driving all four wheels

Steering

- Centre pivot - frame articulation
- Fully hydraulically powered with flow controlling system
- Full flow filtering
- Steering angle - 40° in each direction

Tyres

Standard tyres : 23.5 x 25 L5

Electrics

Voltage : 24 Volt
 Battery : 2 x 12 Volt
 Alternator : 24 Volt / 70 Amp

Brakes

Service Brake

- Inboard, sealed, wet brakes activating all four wheels
- Fully hydraulically activated
- Brakes are activated by use of one brake pedal

Park Brake

- Spring applied Hydraulic release type brake acting on the drive shaft
- Operator engages manually

Loader Hydraulic System

- Closed system with pressure control
- Fixed displacement gear type pump
- Full flow filtering

Lift Hydraulics

- Two 160 bore x 826 mm stroke double acting cylinders
- Working pressure - 2900 Psi

Tilt Hydraulics

- Two 130 bore x 480 mm stroke double acting cylinders
- Working pressure - 2900 Psi with end damping

Engine

Type : Cummins
 Model : QSB - Tier 3
 Capacity : 6.7 Litres
 Power : 194kW @ 2200 RPM
 Torque : 990Nm @ 1500 RPM

Transmission

Type : ZF
 Model : 5WG260

- Five speed fully automatic transmission with modulated directional clutch
- Driven via converter from engine
- Operation by single lever on left of steering wheel

Maximum speed in gears :

	First	Second	Third	Fourth	Fifth
Forward (km/h)	6.7	11.18	16.98	24.18	35.78
Reverse (km/h)	6.7	11.18	24.18		

Gears speeds at engine RPM : 2200

Bucket Controls

Manually operated by use of single lever joystick on right side of operator seat. Pilot operated system

Bucket Specifications

General purpose bucket : 3.5m³ - Weldox 400
 Bucket width : 3200mm
 Z bar linkage with automatic return to dig

Service Capacities

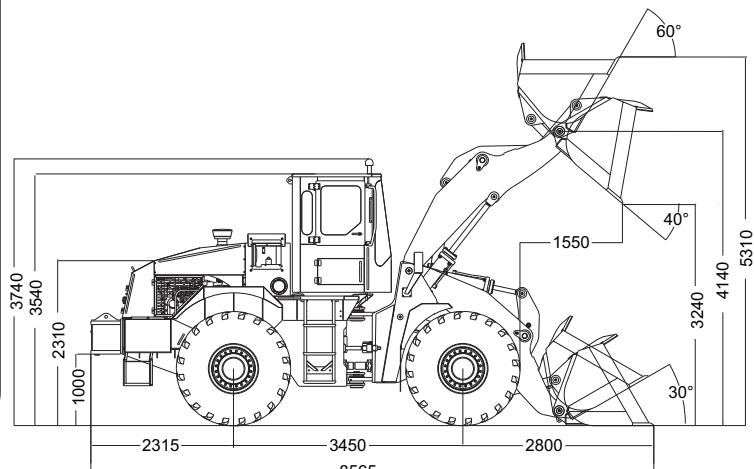
Cooling system : 50 Litres (50% Anti-freeze)
 Engine Crankcase : 21 Litres
 Differentials : 40 Litres
 Transmission : 30 Litres
 Diesel Tank : 240 Litres
 Hydraulic System : 210 Litres (Tank Only)
 250 Litres (Total System)
 Planetary Gears : 2.5 Litres (Per Planetary)

Operational Weights

Operating Weight : Front Axle - 9660 kg
 Rear Axle - 11190 kg
 Total - 20850 kg

Breakout Force : 19380 kg
 Static Tipping Load : Straight - 15800 kg
 Full turn 40° - 12640 kg

Turning Circle : 6400mm radius outside bucket



Dimensions are approximate



DESMOND EQUIPMENT

PORT SHEPSTONE HEAD OFFICE

Tel: 039 685 4100 | Fax: 039 685 4476 | E-mail: dezzi@venturenet.co.za
 PO Box 111 Port Shepstone 4240, South Africa
 Web: www.dezzi.co.za

DEALER